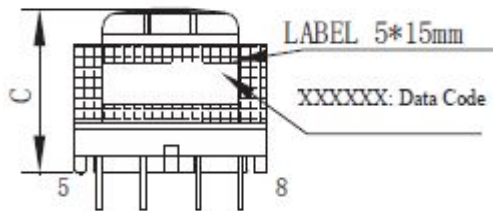
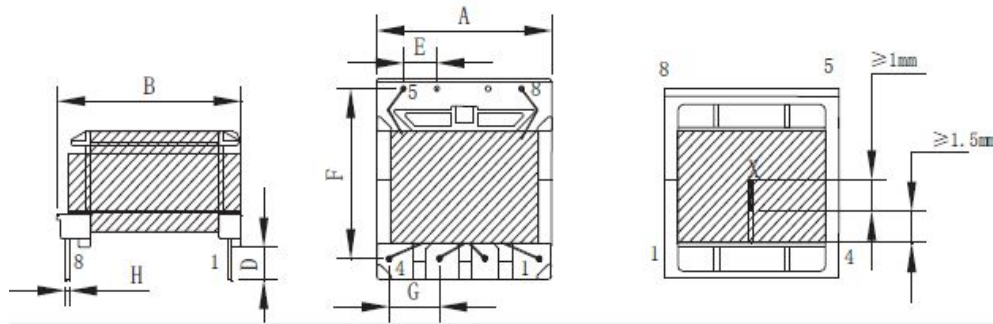


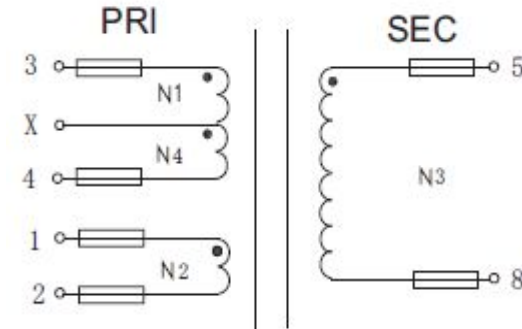
CUSTOMER TERMINAL	ROHS	Lead(Pb)-free
	YES	YES

## 1.Mechanical Dimensions



A	21.0	MAX
B	23.0	MAX
C	18.0	MAX
D	3.5	±0.5
E	4.0	±0.3
F	18.2	±0.4
G	5.0	±0.3
H	0.80	±0.1

## 2.Schematic Diagram



## 3.Material List

Core:FW44 EE20/20/6

Bobbin:FWB2010(4+4PIN)

Wire:2UEW TIW

Operating Temperature: -30 to115 °C

## 4.Electrical Specification

Inductance :  $L(3-4):1.6mH \pm 5\%$  60KHZ , 1.0V

Leakage Inductance : 50uH MAX 60KHZ , 1.0V

DCR : (5-8)=0.48Ω MAX (3-4)=3.22Ω MAX

Hi-Pot:P-S: AC 60Hz 4000V 1mA 3S

P-CORE: AC 60Hz 500V 1mA 3S

REV.	DATE	<p>Convention Placement</p>	DRW.	Drawing Title:	Part No:		
0	00/00		CHK.			<b>TRANSFORMER</b>	FWPTEF20H162J
			APP.			Customer P/N	Specification Sheet 1of 1
<b>ROHS</b>		<a href="http://www.ferriwo.com">www.ferriwo.com</a>					